



MASTERColour CDM-I MR16

MASTERColour CDM-I MR16 20W/830 25D 1CT

Energy-efficient Ceramic Metal Halide Discharge lamp with electronic driver and built-in reflector producing quality light

Product data

• General Characteristics

Cap-Base	-
Bulb	MR16 [MR 16inch/50mm]
Operating Position	any [Any or Universal (U)]
Life to 10% failures	2000 hr
Life to 50% failures	8000 hr

• Light Technical Characteristics

Beam Angle	25 D
Luminous Intensity	4100 cd
Color Code	830 [CCT of 3000K]
Color Rendering Index	80 (min), 80 (nom) Ra8
Color Designation (text)	Warm White
Color Temperature	2700 K
Chromaticity Coordinate X	455 -
Chromaticity Coordinate Y	395 -
Luminous Flux Lamp EL	1200 Lm
Lumen Maintenance 2000h	85 %
Lumen Maintenance 8000h	60 %
Lumen Maintenance 4000h	70 %

• Electrical Characteristics

Lamp Wattage	20 W
Lamp Wattage EL	20 W
Lamp Voltage	220 V
Lamp Current EL	0.236 A
Ignition Time	30 (max) s

Run-up time 90%	3 (max) min
Re-ignition Time [min]	15 (max) min
Dimmable	No

• Environmental Characteristics

Mercury (Hg) Content	3.35 mg
----------------------	---------

• UV-related Characteristics

PET (NIOSH)	100 (min) h.klx
Damage Factor D/fc	0.8 (max) -

• Luminaire Design Requirements

• Product Dimensions

Overall Length C	68.5 (max) mm
Diameter D	50 (max) mm

• Product Data

Order code	914499998991
Full product code	914499998991
Full product name	MASTERColour CDM-I MR16 20W/830 25D 1CT
Order product name	MC CDM-I MR16 20W/830 25D 1CT/6
Pieces per pack	1
Packing configuration	6
Packs per outerbox	6
Bar code on pack - EAN1	6920590274039

PHILIPS
sense and simplicity

Bar code on
outerbox - EAN3 6920590274619
Logistic code(s) -
12NC 914499998991

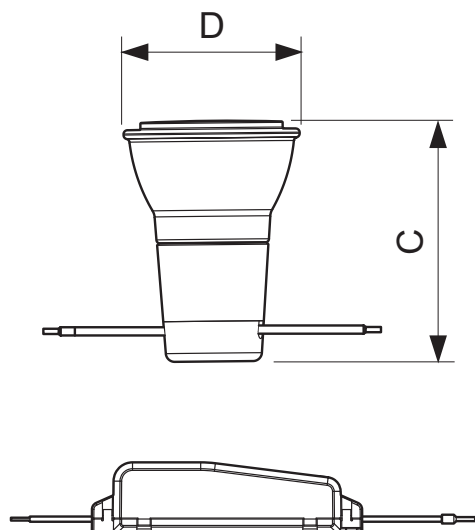
Net weight per piece 0.084 kg

Warnings and Safety

- Use with luminaires suitable for this product

- Protect system from water splash

Dimensional drawing



CDM-i, 20W, MR16

Product	C (Max)	D (Max)
CDM-i 20W/830 MR16 25D	68.5	50



© 2011 Koninklijke Philips Electronics N.V.
All rights reserved.

Specifications are subject to change without notice. Trademarks are the property of Koninklijke Philips Electronics N.V. or their respective owners.

www.philips.com/lighting

2011, December 24
data subject to change